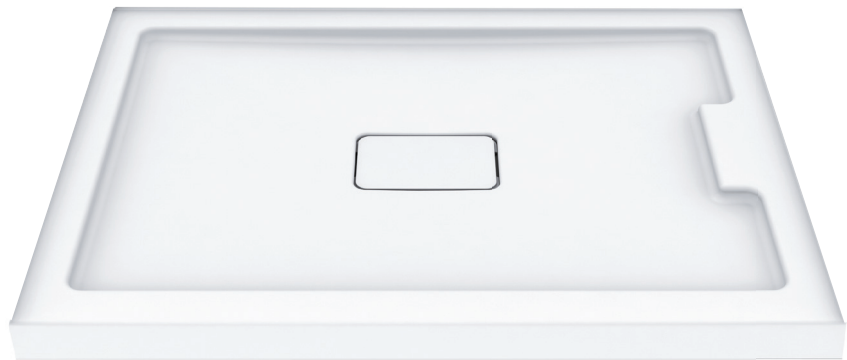
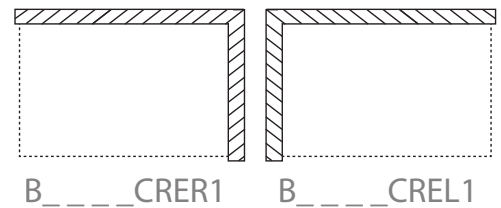


CUPC certified, our shower bases with central drain cover and moulded tile flanges are offered in an extensive number of sizes and configurations, including our angled base. Its unique design will perfectly fit a replacement base for a corner shower. The glossy finish of our acrylic is non-porous and easy to clean.

RIGHT / LEFT CORNER



Shower base

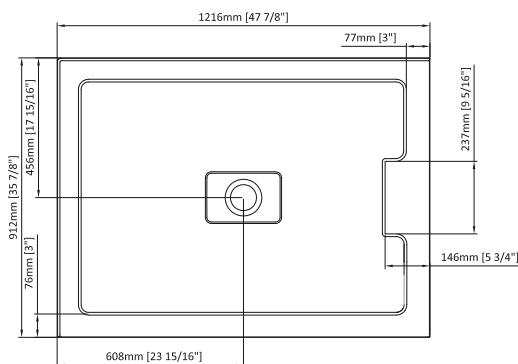
PURE ACRYLIC REINFORCED WITH FIBERGLASS
 48"X36", 60"X36"
 FREESTANDING WITH SHOWER COLUMN

BASE: B4836CRER1
 BASE: B4836CREL1
 Box #1 :
 51" x 33 1/4" x 4 3/4"
 1295 mm x 845 mm x 120 mm
 55.5 lbs (24.9 kg)

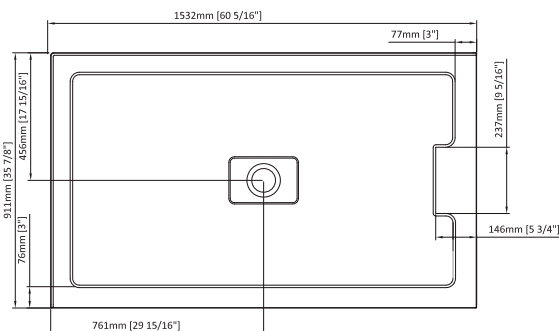
BASE: B4836CRER
 BASE: B6036CRER
 Box #1 :
 63" x 40" x 4 1/2"
 1295 mm x 845 mm x 120 mm
 69.5 lbs (31.3 kg)

Total number of box : 1

48"X36"



60"X36"



- Possibility of unlimited design
- White glossy interior surfaces
- Smooth background
- Shell of pure acrylic reinforced with 4 layers of fiberglass
- Central drain
- Acrylic drain cover
- 1" (3/8") molded tiling flanges
- Threshold of 3"
- Support legs
- Several sizes and configurations available
- Standard drain not included
- Easy installation and maintenance
- 10 years warranty
- CUPC certified

The dimensions are subject to manufacturer's tolerance and may change without notice



www.zitta.ca

